

Filter **V SERIES** **S SERIES**

WIDEST CHOICES FOR DIFFERENT POOL SIZES
For residential and semi-commercial pools



Bobbin-wound
Reinforced
Fiberglass Tank

Max Operating Pressure

36psi (2.5bar)

Max Temperature

43°C (109°F)

Suggested Size of Media

sand 0.5-0.8mm

Pool & Spa Equipment

 **Emaux**
water technology

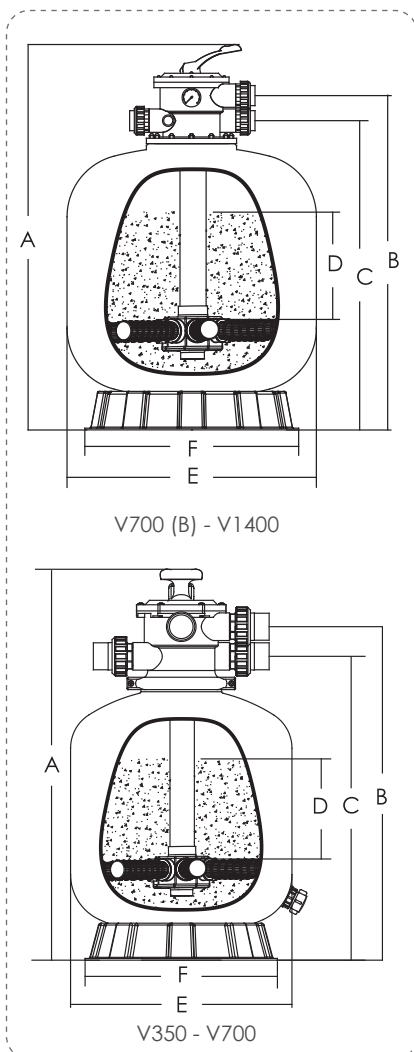
V and S Series Filters are manufactured by automatic bobbin winding technology from long-lasting and non-corrosive fiberglass and resin. The UV resistant composites allow the filter to resist extreme weather conditions for a long working life without corrosion.

Technical Information:

Code (2.5 Bar)	Code (4 Bar)	Model	Filter Area (m ²)	Valve Connections	Max Flow Rate	Sand (kg)	
9010401	/	V350	0.09	1.5" / 50mm	72lpm	4.32m ³ /h	20
9010402	/	V400	0.13	1.5" / 50mm	108lpm	6.48m ³ /h	35
9010403	/	V450	0.16	1.5" / 50mm	135lpm	8.10m ³ /h	45
9010404	/	V500	0.22	1.5" / 50mm	185lpm	11.10m ³ /h	85
9010405	/	V650	0.32	1.5" / 50mm	260lpm	15.60m ³ /h	145
9010407	/	V650(PB)	0.32	2.0" / 63mm	267lpm	16.00m ³ /h	145
9010301	/	V650(B)	0.32	2.0" / 63mm	267lpm	16.00m ³ /h	145
9010406	/	V700	0.40	1.5" / 50mm	325lpm	19.50m ³ /h	210
9010302	/	V700(B)	0.41	2.0" / 63mm	336lpm	20.16m ³ /h	215
9010303	/	V800	0.50	2.0" / 63mm	415lpm	24.90m ³ /h	355
9010304	9010315	V900	0.64	2.0" / 63mm	520lpm	31.20m ³ /h	470
9010308	9010319	V900(C)	0.64	2.5" / 75mm	533lpm	32.00m ³ /h	470
9010305	9010313	V1000	0.79	2.0" / 63mm	650lpm	39.00m ³ /h	620
9010309	9010321	V1000(C)	0.79	2.5" / 75mm	658lpm	39.50m ³ /h	620
9010306	9010311	V1200	1.13	2.0" / 63mm	860lpm	51.60m ³ /h	860
9010310	9010322	V1200(C)	1.13	2.5" / 75mm	941lpm	56.50m ³ /h	860
9010307	9010320	V1400	1.54	2.5" / 75mm	1155lpm	69.30m ³ /h	1400

V Series Filter is equipped with :

1. 6-way clamp/bolt style multiport valve (1.5"MPV01, 2"MPV02, 2.5"MPV12)
2. universal standard of union connection
3. pressure gauge
4. lateral system



Product Dimension:

Model No	A mm	B mm	C mm	D mm	E mm	F mm
V350	726	619	550	160	355	298
V400	757	640	590	175	410	390
V450	814	698	638	210	455	390
V500	845	730	670	235	535	500
V650, V650PB	950	835	775	300	635	500
V650(B)	957	815	731	300	635	500
V700	1020	905	845	330	710	500
V700(B)	1092	960	877	390	723	500
V800	1200	1085	1002	425	800	780
V900	1300	1172	1090	480	900	780
V900(C)	1334	1242	1145	480	900	780
V1000	1400	1340	1260	580	1000	780
V1000(C)	1434	1410	1160	580	1000	780
V1200	1600	1550	1468	740	1200	1000
V1200(C)	1634	1620	1368	740	1200	1000
V1400	1845	1683	1586	750	1400	1000

Suggested sand weight varies with the differences in filter media size. For reference only.





Model: S900

Model: S700(B)

Model: S450

S Series Filter is equipped with :

1. 6-way multiport valve (1.5"MPV03, 2"MPV04, 2.5"MPV13)
2. universal standard of union connection
3. piping kit
4. pressure gauge
5. lateral system

Technical Information:

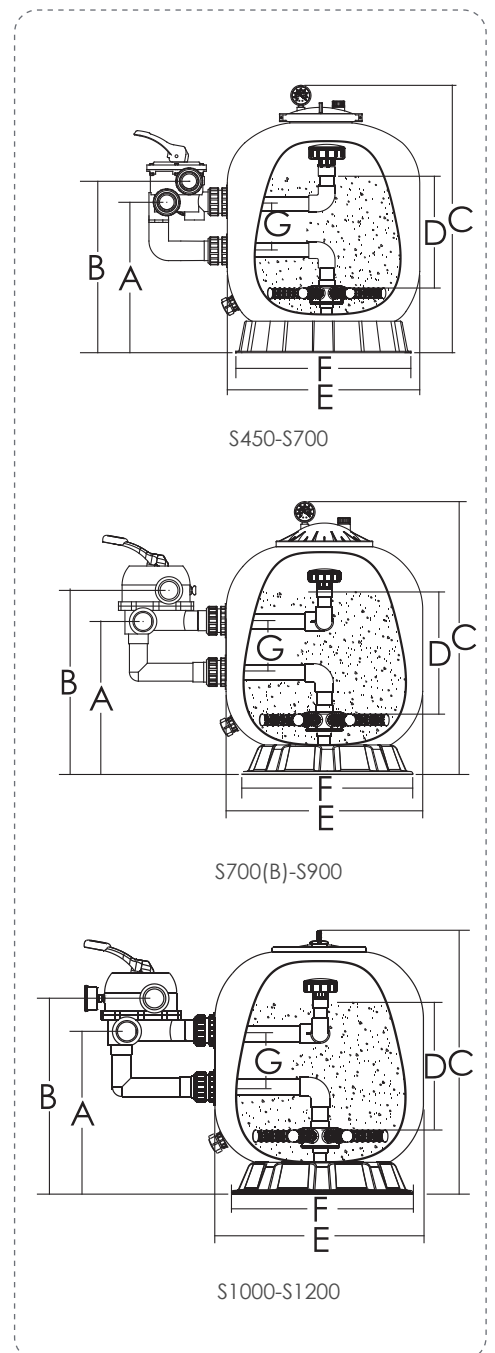
Code (2.5 Bar)	Code (4 Bar)	Model	Filter Area (m ²)	Valve Connections	Max Flow Rate	Sand (kg)
9011201	/	S450	0.16	1.5" / 50mm	135 lpm 8.1m ³ /h	45
9011202	/	S500	0.22	1.5" / 50mm	185 lpm 11.10m ³ /h	85
9011203	/	S650	0.32	1.5" / 50mm	260 lpm 15.60m ³ /h	145
9011204	/	S700	0.40	1.5" / 50mm	325 lpm 19.50m ³ /h	210
9011101	/	S700(B)	0.41	2.0" / 63mm	336 lpm 20.16m ³ /h	215
9011102	9011107	S800	0.53	2.0" / 63mm	435 lpm 24.10m ³ /h	355
9011103	9011105	S900	0.64	2.0" / 63mm	530 lpm 31.80m ³ /h	470
9011104	9011108	S900(C)	0.64	2.5" / 75mm	530 lpm 31.80m ³ /h	470
9011301	9011307	S1000	0.79	2.0" / 63mm	658 lpm 39.50m ³ /h	620
9011302	9011308	S1000(C)	0.79	2.5" / 75mm	658 lpm 39.50m ³ /h	620
9011303	9011309	S1200	1.13	2.0" / 63mm	880 lpm 52.80m ³ /h	860
9011304	9011310	S1200(C)	1.13	2.5" / 75mm	975 lpm 58.50m ³ /h	860
9011306	9011311	S1200(D)	1.13	3.0" / 90mm	947 lpm 56.50m ³ /h	860

Product Dimensions:

Model No	A mm	B mm	C mm	D mm	E mm	F mm	G mm
S450	370	433	730	210	455	390	125
S500	375	438	770	235	535	500	125
S650	425	488	850	300	635	500	125
S700	460	523	960	330	710	500	125
S700(B)	520	606	890	390	723	500	220
S800	605	691	1050	425	820	780	220
S900	655	741	1180	480	920	780	220
S900(C)	671	768	1180	380	920	780	236
S1000	710	796	1220	580	1020	780	220
S1000(C)	746	843	1220	480	1020	780	236
S1200	820	906	1410	740	1200	1000	220
S1200(C)	836	933	1410	640	1200	1000	236
S1200(D)	915	1025	1410	640	1200	1000	350

Bobbin-Wound Filter

is manufactured by computerized fiberglass filament winding technology. This provides the mechanical strength of the filter tank and its ability to withstand pressure.



Suggested sand weight varies with the differences in filter media size. For reference only.

EMAUX WATER TECHNOLOGY CO., LTD

ADDRESS: 2/F, Lockhart Centre, No. 301-307

Lockhart Road, Wanchai, Hong Kong

PHONE +852 2832 9880

www.emauxgroup.com

 **YOUR PREMIER SUPPLIER**

Available from: